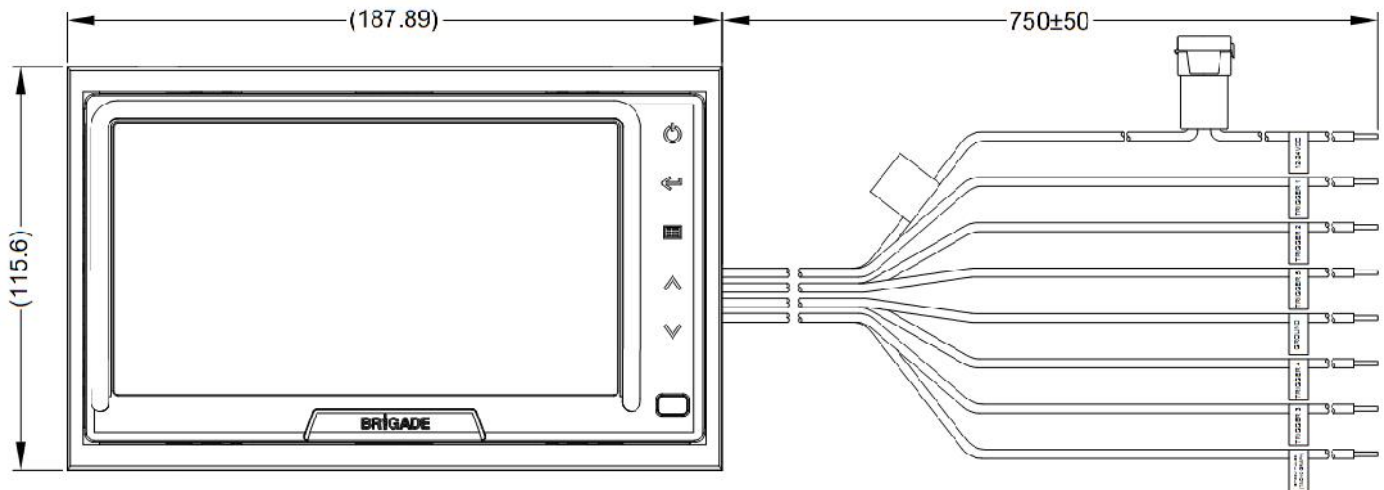


Product Specification

Brigade Model Number: BE-865DDM Monitor

Brigade Stock Code: (3935)



Dimensions: mm

Product Specification

Environmental Specifications:

- Vibration Rating: 6G
- Operating Temperature: -40° to +70°C
- Storage Temperature: -40° to +85°C

Approved Standards:

- CE
- FCC
- RoHS
- WEEE
- 2009/19/EC
- ISO 16750
- 2005/27/EC (Tested Single/Split Mode)
- Regulation No.46

Technical Specifications:

- Operating Voltage: 10~32 Vdc
- Current Consumption: ≤ 1.4A @11 Vdc
- Power Consumption: ≤15.4 Watts @ 11Vdc
- TV System: PAL / NTSC
- Panel Size: 6.5"
- Resolution: 800 x (RGB) x 480
- Contrast Ratio: 500:1
- Brightness: 500 cd/m²
- Viewing Angle: 50(T), 70(B), 70(L), 70(R)
- Number of Camera Inputs: 4
- Number of Phono (RCA) Inputs: 2
- Number of Triggers In: 5
- Number of Triggers Out: None
- Shutter Function on Channels: All Camera I/P¹
- Tilt Function on Channels: All Camera I/P²
- Mirror/Normal: All Channels

Note:
1: Only BE-81XC 2: Only BE-840C/BE-840RC

Technical Specifications Continued...

- Cable Thickness:
Power Cables: 16 AWG
Trigger Cables: 22 AWG
- Weight: Approx. 711 Grams
- Video Input: 1.0 Vp-p / 75Ω
- Length of Cable:
Cable Adapter: 750mm
- Overall Dimensions: (Without Sunshield)
187.9mm (W) x 142.4mm (D) x 115.6mm (H)
- Front, Central and Rear Material: PC, EGI and ABS

Features:

- Auto Daylight/Night Sensor
- Tamperproof Function
- On Screen Display Menu (OSD)
- Backlit Capacitive Control Buttons
- Electronic Distance Markers (Including Vertical Line)
- High resolution digital LCD panel
- LED Backlight (Up to 20,000 hours)
- 6 different OSD language options
- Multiple display Modes (Full, Split, Triple, PIP and Quad Images)
- Independent controls for Inputs
- Speed Switch Function

Package Contents:

- 1x Monitor
- 1x Instruction Guide
- 1x Trim Bracket
- 1x Decoration Plate
- 1x Sun Shield
- 1x Cable Adapter
- 1x Fixing Kit inc Removal Keys